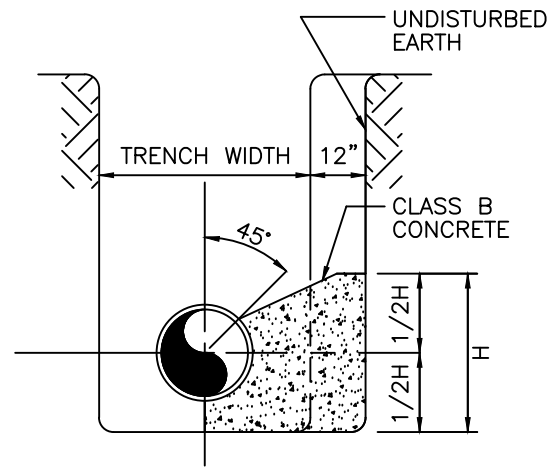


PLAN - BENDS



SECTION

BUTTRESS DIMENSIONS						
PIPE SIZE	22 1/2° BENDS		45° BENDS		90° BENDS	
	L	H	L	H	L	H
6"	1'-0"	1'-0"	1'-0"	1'-0"	1'-4"	1'-2"
8"	1'-0"	1'-0"	1'-4"	1'-2"	1'-10"	1'-6"
12"	1'-4"	1'-4"	1'-10"	1'-10"	2'-8"	2'-3"

NOTES:

1. DIMENSION 'A' SHOULD BE AS LARGE AS POSSIBLE WITHOUT INTERFERING WITH THE MECHANICAL JOINT BOLTS.
2. THE SHAPE OF THE BACK OF THE BUTTRESS MAY VARY PROVIDED THE CONCRETE IS AGAINST FIRM, UNDISTURBED EARTH.
3. BUTTRESS DIMENSIONS ARE BASED UPON A SOIL RESISTANCE OF TWO TONS PER SQ. FT. AND A WATER PRESSURE OF 150 P.S.I.
4. INSTALL GRIPPER GASKETS WITHIN 60' OF 45° AND 90° BENDS.

NOT TO SCALE