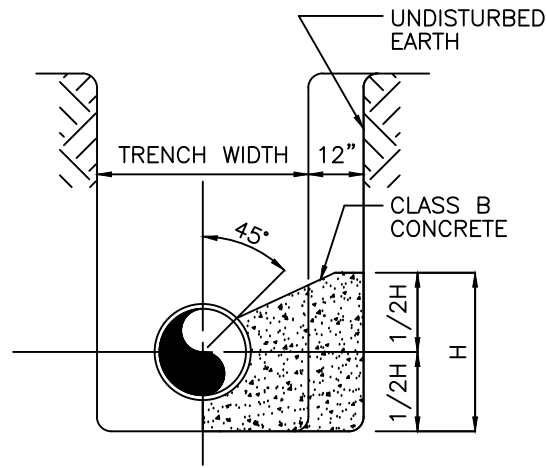


PLAN - TEE



SECTION

BUTTRESS DIMENSIONS				
B. D.	L	H	C	D
6"	1'-3"	1'-0"	SEE NOTE NO. 1	SEE NOTE NO. 2
8"	1'-6"	1'-4"		
12"	2'-3"	2'-0"		

B. D. = BRANCH DIAMETER

NOTES:

1. DIMENSION 'C' SHOULD BE LARGE ENOUGH TO MAKE ANGLE 'A' EQUAL TO OR GREATER THAN 45°.
2. DIMENSION 'D' SHOULD BE AS LARGE AS POSSIBLE WITHOUT INTERFERING WITH THE MECHANICAL JOINTS.
3. BUTTRESS DIMENSIONS ARE BASED UPON A SOIL RESISTANCE OF TWO TONS PER SQ. FT. AND A WATER PRESSURE OF 150 P.S.I.

NOT TO SCALE