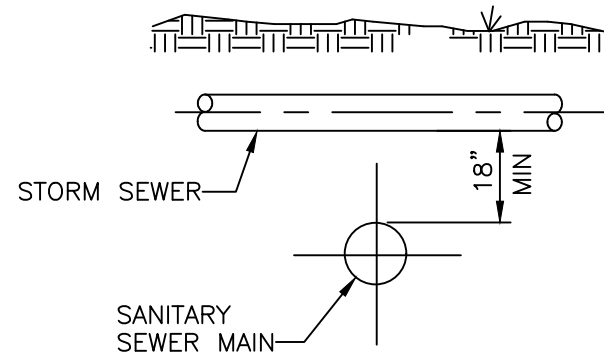
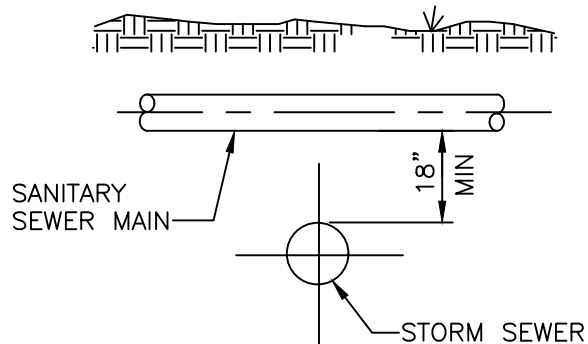


NOTE:

WHEN A WATER MAIN CROSSES OVER OR UNDER A STORM SEWER AND CONDITIONS PREVENT THE REQUIRED 18" MIN VERTICAL SEPARATION, THE WATER MAIN SHALL BE CONSTRUCTED OF DUCTILE IRON PIPE WITH JOINTS EQUIVALENT TO WATER MAIN STANDARDS FOR A MINIMUM DISTANCE OF 10 FEET ON EACH SIDE OF THE POINT OF CROSSING. THE MINIMUM VERTICAL SEPARATION FOR DUCTILE IRON PIPE SHALL BE 12".



NOTE:

WHEN A SANITARY SEWER MAIN CROSSES OVER OR UNDER A STORM SEWER AND CONDITIONS PREVENT THE REQUIRED 18" MIN VERTICAL SEPARATION, THE SANITARY SEWER MAIN SHALL BE CONSTRUCTED OF DUCTILE IRON PIPE WITH JOINTS EQUIVALENT TO WATER MAIN STANDARDS FOR A MINIMUM DISTANCE OF 10 FEET ON EACH SIDE OF THE POINT OF CROSSING. THE MINIMUM VERTICAL SEPARATION FOR DUCTILE IRON PIPE SHALL BE 12".

**RELATION OF WATER & SEWER MAINS
TO STORM DRAINS**