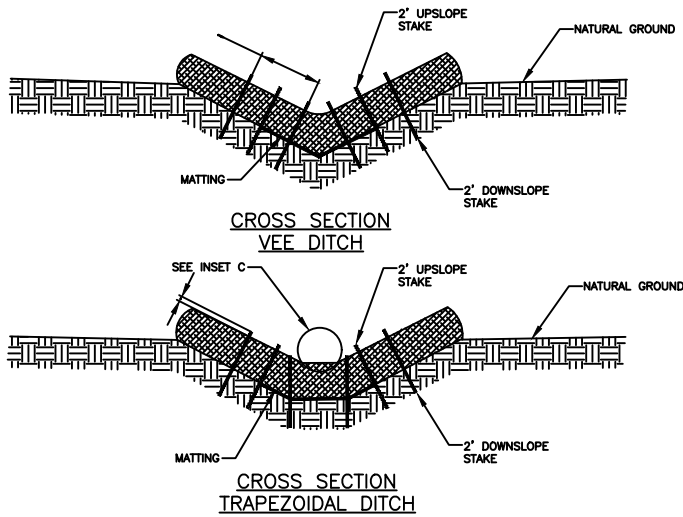
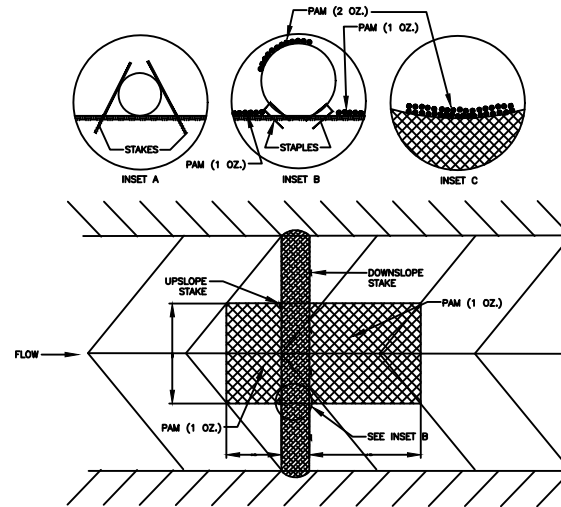


ISOMETRIC VIEW



NOTES:

1. USE MINIMUM 12" DIAMETER FIBER WATTLE.
2. USE 2' WOODEN STAKES WITH A 2" X 2" NOMINAL CROSS SECTION.
3. ONLY INSTALL WATTLE(S) TO A HEIGHT IN DITCH SO FLOW WILL NOT WASH AROUND WATTLE AND SCOUR DITCH SLOPES AND AS DIRECTED.
4. INSTALL A MINIMUM OF 2 UPSLOPE STAKES AND 4 DOWNSLOPE STAKES AT AN ANGLE TO WEDGE WATTLE TO BOTTOM OF DITCH.
5. PROVIDE STAPLES MADE OF 0.125" DIAMETER STEEL WIRE FORMED INTO A U SHAPE NOT LESS THAN 12" IN LENGTH.
6. INSTALL STAPLES APPROXIMATELY EVERY 1 LINEAR FOOT ON BOTH SIDES OF WATTLE AND AT EACH END TO SECURE IT TO THE SOIL.
7. INSTALL MATTING IN ACCORDANCE WITH SECTION 1631 OF THE NCDOT STANDARD SPECIFICATIONS.



NOT TO SCALE