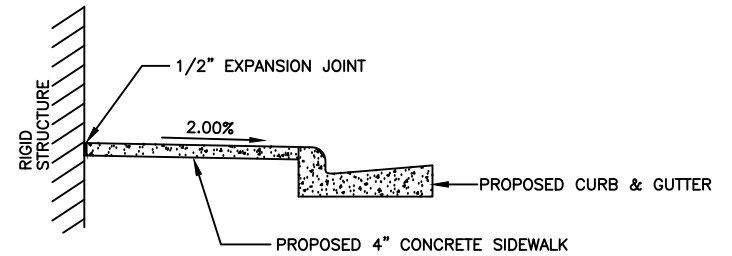


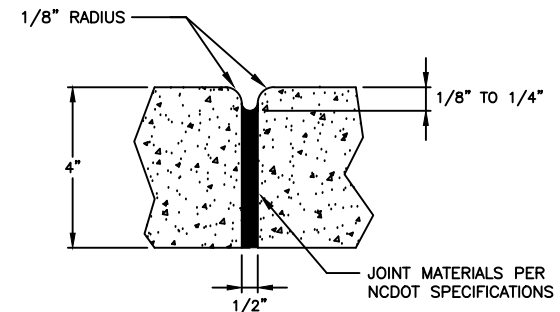
GROOVE JOINT IN SIDEWALK



DETAILS SHOWING EXPANSION JOINTS
IN CONCRETE SIDEWALK

NOTES:

1. CONSTRUCT STANDARD SIDEWALK 5' WIDE AND 4" THICK UNLESS OTHERWISE DENOTED ON PLANS.
2. CONSTRUCT SIDEWALK 5' WIDE AND 6" THICK AT DRIVEWAY ENTRANCES.
3. CONSTRUCT SIDEWALK WITH A 2.00% CROSS SLOPE.
4. PLACE A GROOVE JOINT 1" DEEP WITH 1/8" RADII IN THE CONCRETE SIDEWALK AT 5' INTERVALS. ONE 1/2" EXPANSION JOINT WILL BE REQUIRED AT 50' INTERVALS. A 1/2" EXPANSION JOINT WILL BE REQUIRED WHERE THE SIDEWALK JOINS ANY RIGID STRUCTURE. ALL EXPANSION JOINTS SHALL BE FILLED WITH JOINT SEALER.
5. ZONING CONDITIONS MAY REQUIRE ADDITIONAL WIDTH SIDEWALKS WHICH SHALL SUPERSEDE THESE STANDARD DIMENSIONS SHOWN.



TRANSVERSE EXPANSION
JOINT IN SIDEWALK

NOT TO SCALE